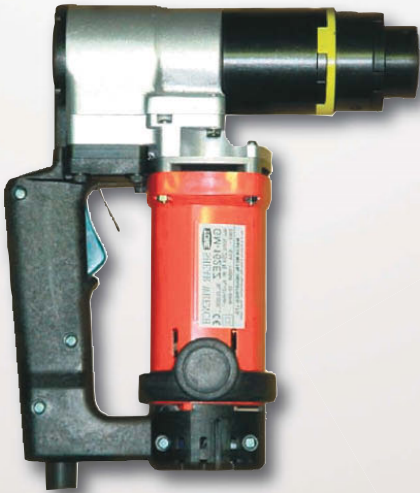
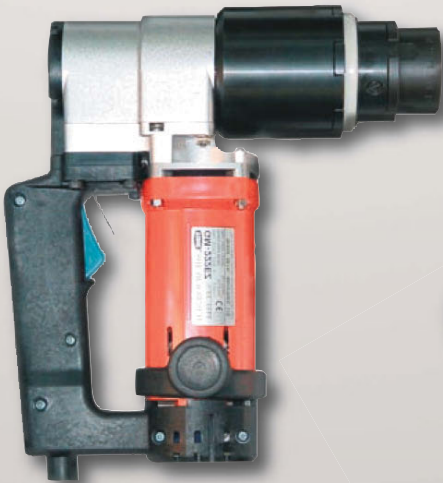




SHEAR WRENCHES



GM161EZ
for M12 • M16
5/8"



GM221EZ
for M16 • M20 • M22
5/8" • 3/4" • 7/8"



**Extensions and Long Sockets
Available**



GMC221EZ
for M16 • M20 • M22
5/8" • 3/4" • 7/8"



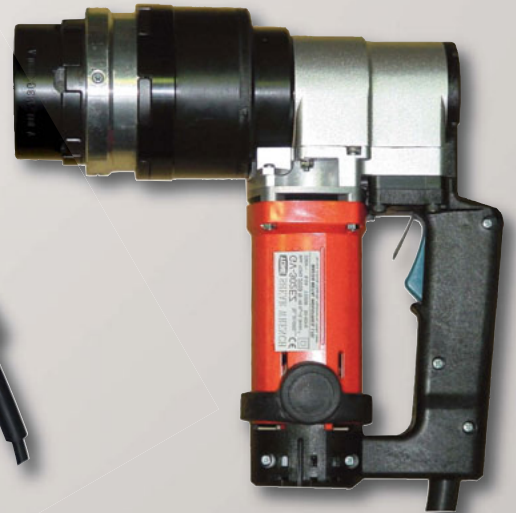
GHC241EZ
for M16 • M20 • M22 • M24
5/8" • 3/4" • 7/8" • 1"



GVC301EZ
for M27 • M30
1 1/8"



GH241EZ
for M16 • M20 • M22 • M24
5/8" • 3/4" • 7/8" • 1"

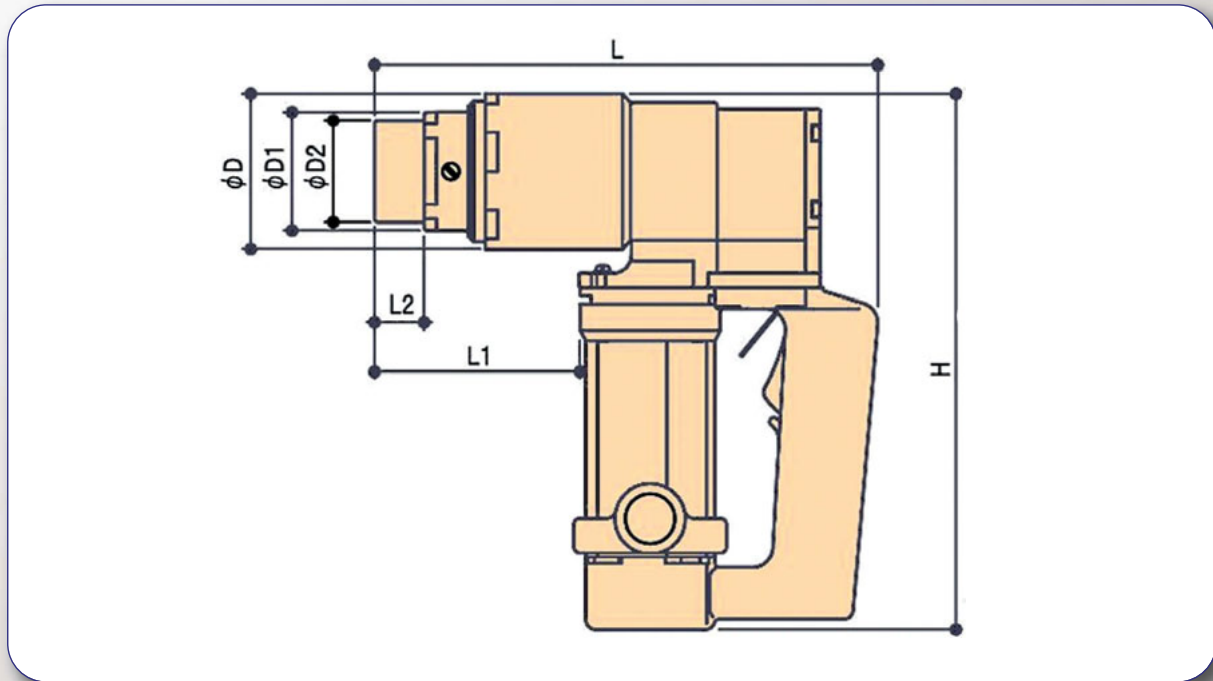


GV301EZ
for M27 • M30
1 1/8"

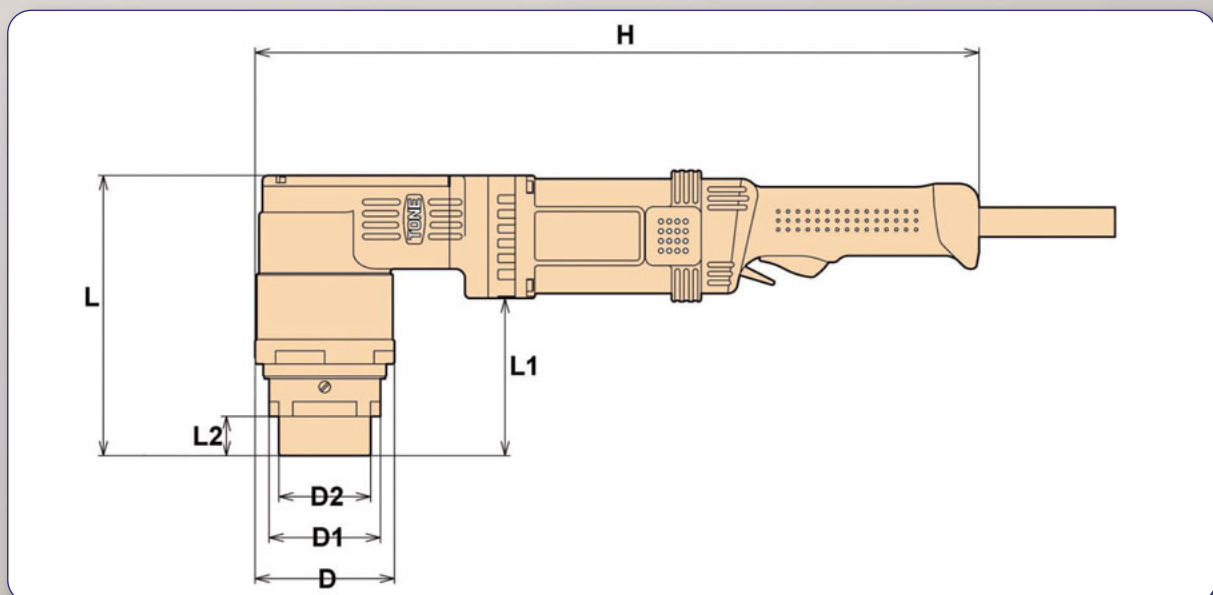


GX361EZ
for M36

Model	L	L1	L2	D	D1	D2	H	Kg
GM161EZ	222	77	19	58	53	39	251	4.5
GM221EZ	244	100	24	75	57	49	259	5.6
GH241EZ	263	119	24	85	68	56	274	7.5
GV301EZ	273	128	26	98	93	75	271	8.3
GX361EZ	310	158	35	117	97	85	275	12.6



Model	L	L1	L2	D	D1	D2	H	Kg
GMC221EZ	154	79	24	80	58	49	439	6.2
GHC241EZ	171	96	24	85	68	56	442	7.0
GVC301EZ	202	127	26	98	81	75	448	9.0



Tension Control Bolts